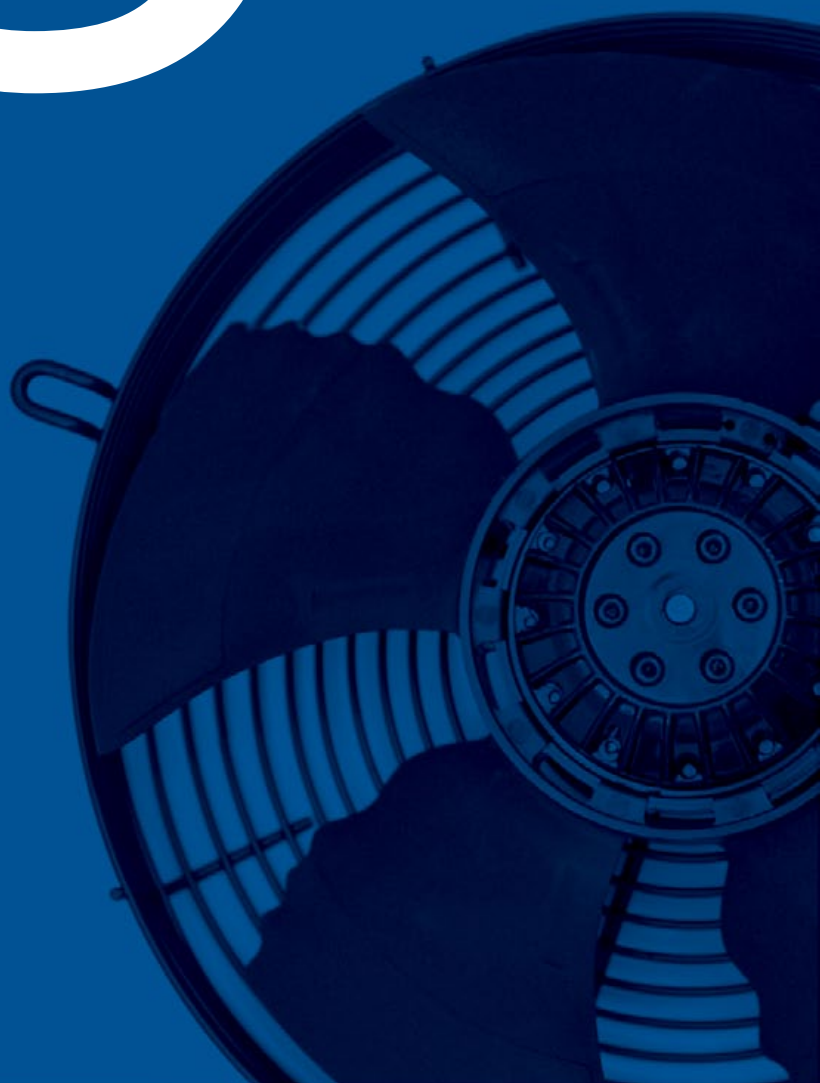


03





AC Axial fans Plastic blades

EC AXIAL FANS

AC AXIAL FANS
SICKLED BLADES

AC AXIAL FANS
PLASTIC BLADES

AC AXIAL FANS
PADDLE BLADES

AC RADIAL FANS
BACKWARD CURVED BLADES

ACCESSORIES

CONNECTION DIAGRAMS

Axial fans with induction (AC) motors and plastic blades



Plastic blades (SP)
Diameter: 300 mm



Plastic blades (AP)
Diameters: 400 – 450 mm



Plastic blades (SP, LP)
Diameters: 400 – 450 mm

Example of type key:

R11R-45SPS-4T2-5745

- R11** External rotor motor type (R09, R11)
- R** Accessory type (E - without guard grill, R - with guard grill, P - with guard grill and wall plate)
- 45** Fan diameter x 10 (exact diameters are stated in drawings)
- SP** Type of blades (AP, KP, LP, SP)
- S** Airflow direction (S - sucking, B - blowing)
- 4** Number of motor poles
- T** Number of phases (M - single phase, T - three phase)
- 2** Number of motor speed
- 57** Motor stack height
- 45** Version of electrical construction

Diameter:

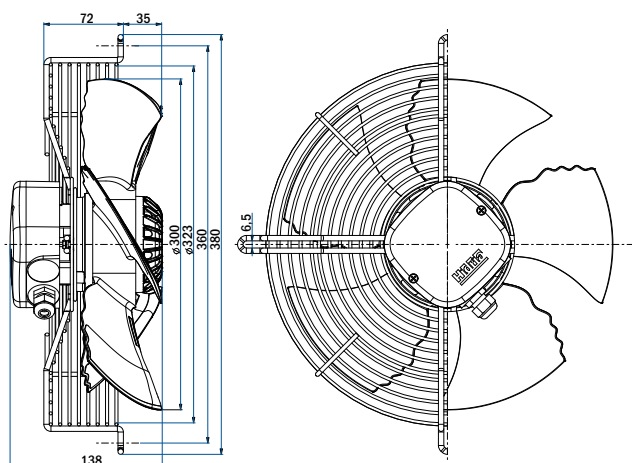
300 mm

R09_-30SP_-4M-2543



Fan with guard grill

Airflow Direction	Type	Code	Weight (kg)
Sucking	R09R-30SPS-4M-2543	0309-4-1091	3.0
Blowing	R09R-30SPB-4M-2543	0309-4-1092	



Fan with plate

Airflow Direction	Type	Code	Weight (kg)
Sucking	R09P-30SPS-4M-2543	On request	
Blowing	R09P-30SPB-4M-2543	On request	

Fan without guard grill

Airflow Direction	Type	Code	Weight (kg)
Sucking	R09E-30SPS-4M-2543	On request	
Blowing	R09E-30SPB-4M-2543	On request	

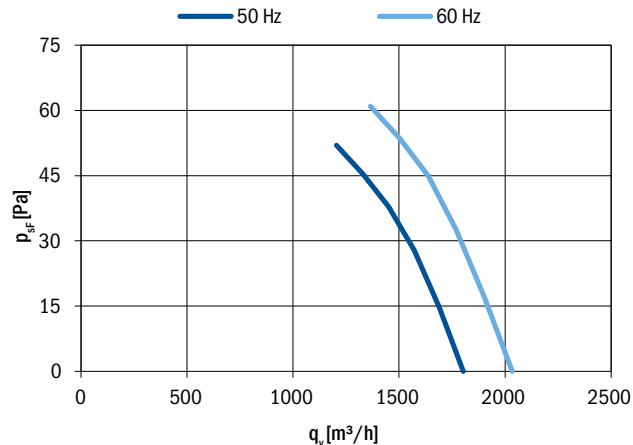
Nominal data according to standard EN 60335:	
Phase	1~
Nominal voltage	230 V
Frequency	50/60 Hz
Rated power input	65/90 W
Rated current	0.30/0.40 A
Rated speed	1400/1500 RPM
Min. ambient temperature	-30 °C
Max. ambient temperature	70 °C
Sound power level A weighted	65/70 dB (A)
Condensator	2 µF/450 V
Connection	terminal box
Insulation class	155
Protection class	IP54

ErP data according to EU regulation 327/2011:

Is not subject to the EU regulation 327/2011.

Power input lower than 125 W.

Aerodynamic characteristic



Fan characteristic measured in full bell mouth with guard grill

General notes

Connection diagram: Sucking	0301-1-0043	Page 145
Blowing	0301-1-0044	
Accessories		Page 134
Compliant to standards		Page 28

R11_-35KP_-4M-3808

Diameter:

350 mm

Nominal data according to standard EN 60335:

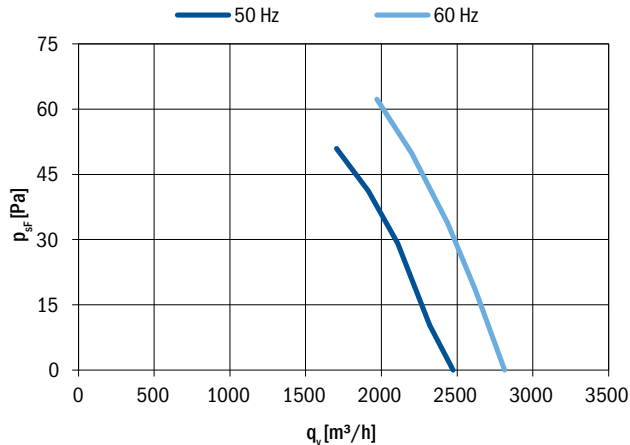
Phase	1~
Nominal voltage	230 V
Frequency	50/60 Hz
Rated power input	110/145 W
Rated current	0.45/0.65 A
Rated speed	1360/1490 RPM
Min. ambient temperature	-30 °C
Max. ambient temperature	55 °C
Sound power level A weighted	65/69 dB (A)
Condensator	4 µF/450 V
Connection	terminal box
Insulation class	155
Protection class	IP54

ErP data according to EU regulation 327/2011:

Is not subject to the EU regulation 327/2011.

Power input lower than 125 W.

Aerodynamic characteristic

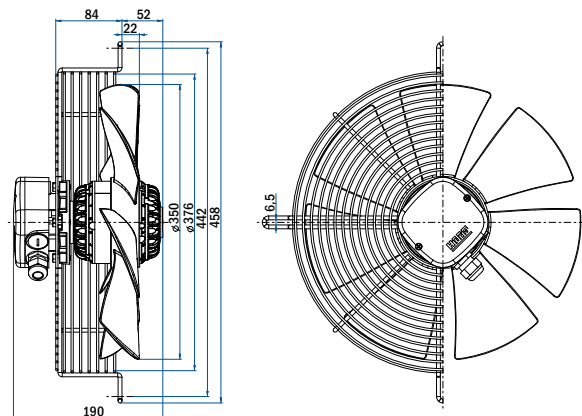


Fan characteristic measured in full bell mouth with guard grill



Fan with guard grill

Airflow Direction	Type	Code	Weight (kg)
Sucking	R11R-35KPA-4M-3808	0311-4-0243	5.5
Blowing	R11R-35KPP-4M-3808	On request	



Fan with plate

Airflow Direction	Type	Code	Weight (kg)
Sucking	R11P-35KPA-4M-3808	On request	
Blowing	R11P-35KPP-4M-3808	On request	

Fan without guard grill

Airflow Direction	Type	Code	Weight (kg)
Sucking	R11E-35KPA-4M-3808	On request	
Blowing	R11E-35KPP-4M-3808	On request	

General notes

Connection diagram: Sucking	0301-1-0043	Page 145
Blowing	0301-1-0044	
Accessories		Page 134
Compliant to standards		Page 28

Diameter:

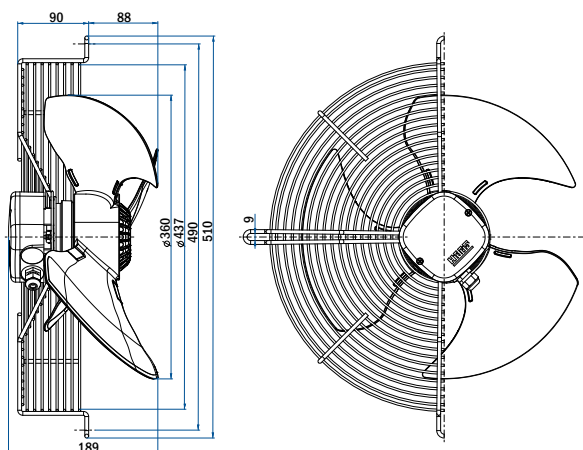
360 mm

R09_-36LP_-6M-4249



Fan with guard grill

Airflow Direction	Type	Code	Weight (kg)
Sucking	R09R-36LPS-6M-4249	0309-4-0436	3.8



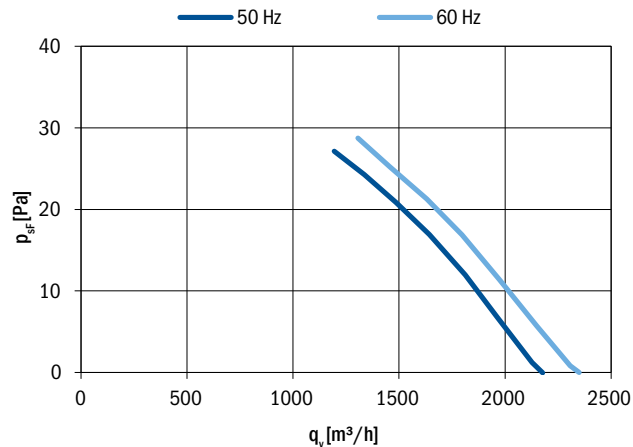
Nominal data according to standard EN 60335:	
Phase	1~
Nominal voltage	230 V
Frequency	50/60 Hz
Rated power input	65/70 W
Rated current	0.30/0.32 A
Rated speed	830/900 RPM
Min. ambient temperature	-30 °C
Max. ambient temperature	60 °C
Sound power level A weighted	52 / 55 dB (A)
Condensator	1.5 µF/450 V
Connection	terminal box
Insulation class	155
Protection class	IP54

ErP data according to EU regulation 327/2011:

Is not subject to the EU regulation 327/2011.

Power input lower than 125 W.

Aerodynamic characteristic



Fan characteristic measured in full bell mouth with guard grill

Fan with plate

Airflow Direction	Type	Code	Weight (kg)
Sucking	R09P-36LPS-6M-4249	On request	

Fan without guard grill

Airflow Direction	Type	Code	Weight (kg)
Sucking	R09E-36LPS-6M-4249	On request	

General notes

Connection diagram	0301-1-0044	Page 145
Accessories		Page 134
Compliant to standards		Page 28

R11_-40LP_-4M-5150

Diameter:

400 mm

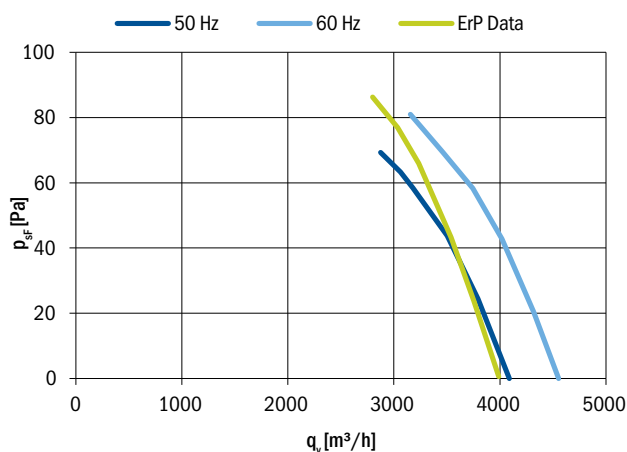
Nominal data according to standard EN 60335:

Phase	1~
Nominal voltage	230 V
Frequency	50/60 Hz
Rated power input	190/260 W
Rated current	0.85/1.10 A
Rated speed	1310/1450 RPM
Min. ambient temperature	-30 °C
Max. ambient temperature	60 °C
Sound power level A weighted	73/76 dB (A)
Condensator	6.3 µF/450 V
Connection	terminal box
Insulation class	155
Protection class	IP54

ErP data according to EU regulation 327/2011:

Overall efficiency	30.9 %
Measurement category	A
Efficiency category	static
Efficiency grade N	41.5
Variable speed drive	NO
Power input	208 W
Air flow	2800 m³/h
Pressure drop	86 Pa
Speed	1314 RPM
Specific ratio	1.00

Aerodynamic characteristic



Fan characteristic measured in short bell mouth with guard grill
ErP characteristic measured in full bell mouth without guard grill

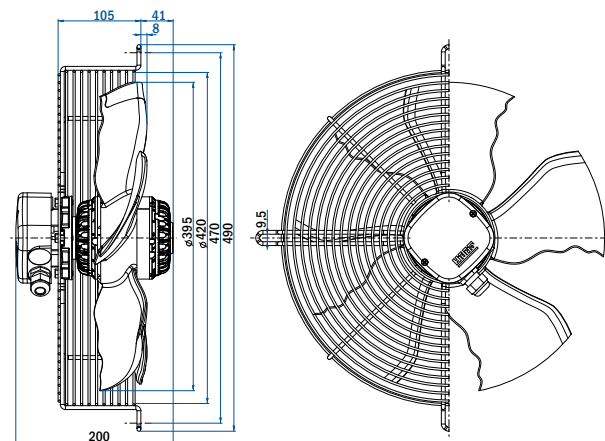
General notes

Connection diagram: Sucking	0301-1-0044	Page 145
Blowing	0301-1-0043	
Accessories		Page 134
Compliant to standards		Page 28



Fan with guard grill

Airflow Direction	Type	Code	Weight (kg)
Sucking	R11R-40LPS-4M-5150	0311-4-0313	6.0
Blowing	R11R-40LPB-4M-5150	0311-4-0342	



Fan with plate

Airflow Direction	Type	Code	Weight (kg)
Sucking	R11P-40LPS-4M-5150	On request	
Blowing	R11P-35KPP-4M-3808	On request	

Fan without guard grill

Airflow Direction	Type	Code	Weight (kg)
Sucking	R11P-40LPB-4M-5150	On request	
Blowing	R11E-40LPB-4M-5150	On request	

Diameter:

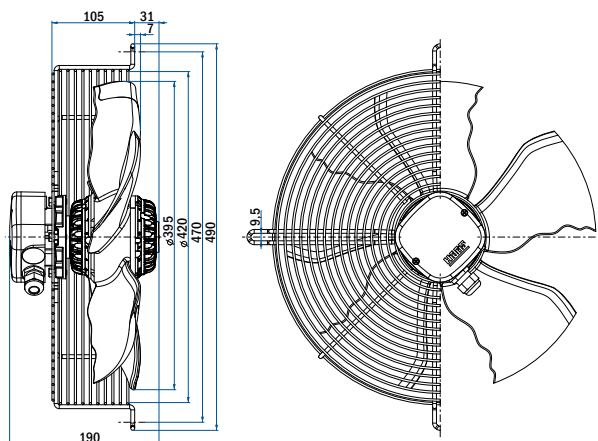
400 mm

R11_-40LP_-6M-3806



Fan with guard grill

Airflow Direction	Type	Code	Weight (kg)
Sucking	R11R-40LPS-6M-3806	On request	
Blowing	R11R-40LPB-6M-3806	On request	



Fan with plate

Airflow Direction	Type	Code	Weight (kg)
Sucking	R11P-40LPS-6M-3806	On request	
Blowing	R11P-40LPB-6M-3806	On request	

Fan without guard grill

Airflow Direction	Type	Code	Weight (kg)
Sucking	R11P-40LPS-6M-3806	On request	
Blowing	R09E-30SPB-4M-2543	On request	

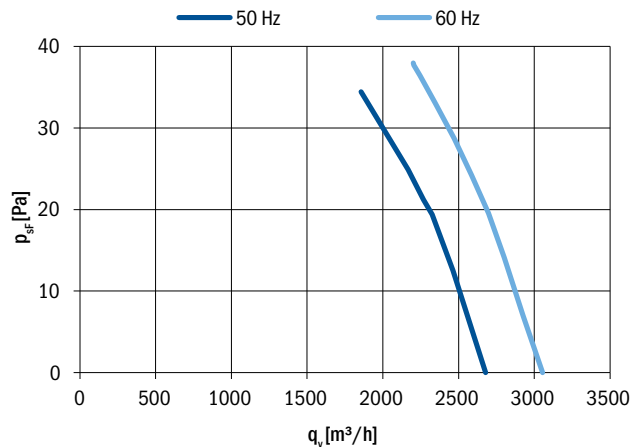
Nominal data according to standard EN 60335:	
Phase	1~
Nominal voltage	230 V
Frequency	50/60 Hz
Rated power input	85/110 W
Rated current	0.38/0.48 A
Rated speed	870/980 RPM
Min. ambient temperature	-30 °C
Max. ambient temperature	60 °C
Sound power level A weighted	
Condensator	3.15 µF/450 V
Connection	terminal box
Insulation class	155
Protection class	IP54

ErP data according to EU regulation 327/2011:

Is not subject to the EU regulation 327/2011.

Power input lower than 125 W.

Aerodynamic characteristic



Fan characteristic measured in short bell mouth with guard grill

General notes

Connection diagram: Sucking	0301-1-0043	Page 145
Blowing	0301-1-0044	
Accessories		Page 134
Compliant to standards		Page 28

R11_-42LP_-4M-5150

Diameter:

420 mm

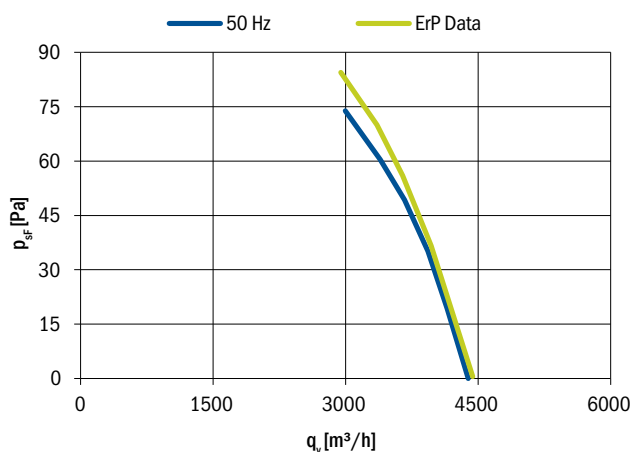
Nominal data according to standard EN 60335:

Phase	1~
Nominal voltage	230 V
Frequency	50 Hz
Rated power input	220 W
Rated current	1.00 A
Rated speed	1280 RPM
Min. ambient temperature	-30 °C
Max. ambient temperature	60 °C
Sound power level A weighted	76 dB (A)
Condensator	6.3 µF/450 V
Connection	terminal box
Insulation class	155
Protection class	IP54

ErP data according to EU regulation 327/2011:

Overall efficiency	28.9 %
Measurement category	A
Efficiency category	static
Efficiency grade N	39.2
Variable speed drive	NO
Power input	231 W
Air flow	2948 m³/h
Pressure drop	84 Pa
Speed	1259 RPM
Specific ratio	1.00

Aerodynamic characteristic



Fan characteristic measured in short bell mouth with guard grill
ErP characteristic measured in full bell mouth without guard grill

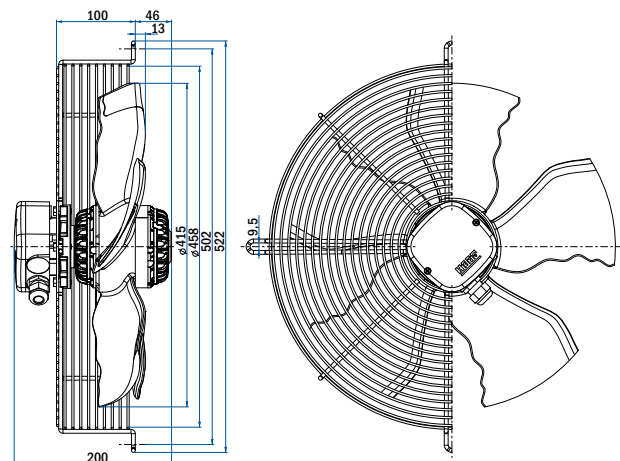
General notes

Connection diagram: Sucking	0301-1-0044	Page 145
Blowing	0301-1-0043	
Accessories		Page 134
Compliant to standards		Page 28



Fan with guard grill

Airflow Direction	Type	Code	Weight (kg)
Sucking	R11R-42LPS-4M-5150	0311-4-0312	6.1
Blowing	R11R-42LPB-4M-5150	0311-4-0310	



Fan with plate

Airflow Direction	Type	Code	Weight (kg)
Sucking	R11P-42LPS-4M-5150	On request	
Blowing	R11P-42LPB-4M-5150	On request	

Fan without guard grill

Airflow Direction	Type	Code	Weight (kg)
Sucking	R11E-42LPS-4M-5150	On request	
Blowing	R11E-42LPB-4M-5150	On request	

Diameter:

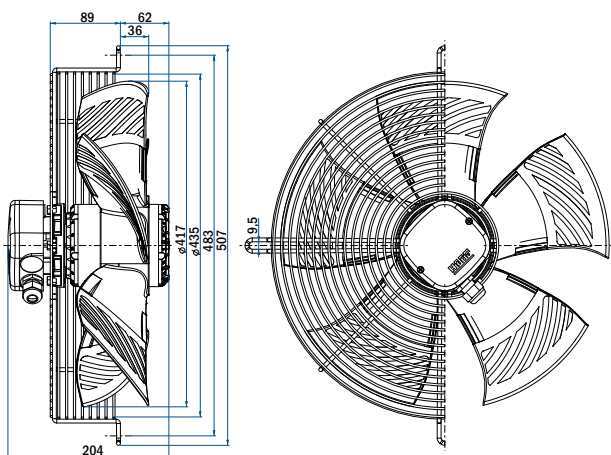
420 mm

R11_-42AP_-6M-5758



Fan with guard grill

Airflow Direction	Type	Code	Weight (kg)
Sucking	R11R-42APS-6M-5758	0311-4-0462	6.8
Blowing	R11R-42APB-6M-5758	On request	



Fan with plate

Airflow Direction	Type	Code	Weight (kg)
Sucking	R11P-42APS-6M-5758	On request	
Blowing	R11P-42APB-6M-5758	On request	

Fan without guard grill

Airflow Direction	Type	Code	Weight (kg)
Sucking	R11E-42APS-6M-5758	On request	
Blowing	R11E-42APB-6M-5758	On request	

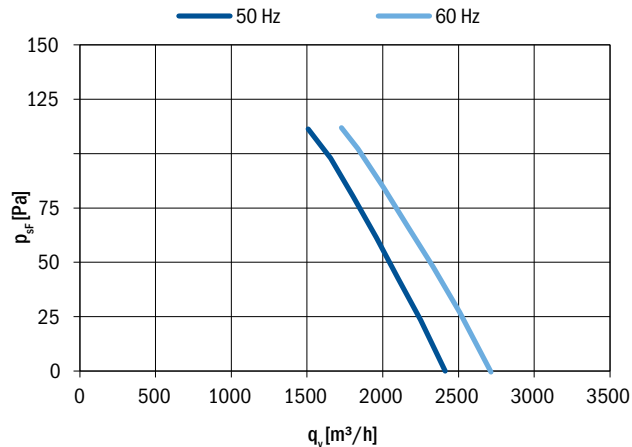
Nominal data according to standard EN 60335:	
Phase	1~
Nominal voltage	230 V
Frequency	50/60 Hz
Rated power input	120/165 W
Rated current	0.52/0.72 A
Rated speed	880/900 RPM
Min. ambient temperature	-30 °C
Max. ambient temperature	70/55 °C
Sound power level A weighted	
Condensator	3.15 µF/450 V
Connection	terminal box
Insulation class	155
Protection class	IP54

ErP data according to EU regulation 327/2011:

Is not subject to the EU regulation 327/2011.

Power input lower than 125 W.

Aerodynamic characteristic



Fan characteristic measured in short bell mouth with guard grill

General notes

Connection diagram: Sucking	0301-1-0044	Page 145
Blowing	0301-1-0043	
Accessories		Page 134
Compliant to standards		Page 28

R11_-45LP_-4M-5150

Diameter:

450 mm

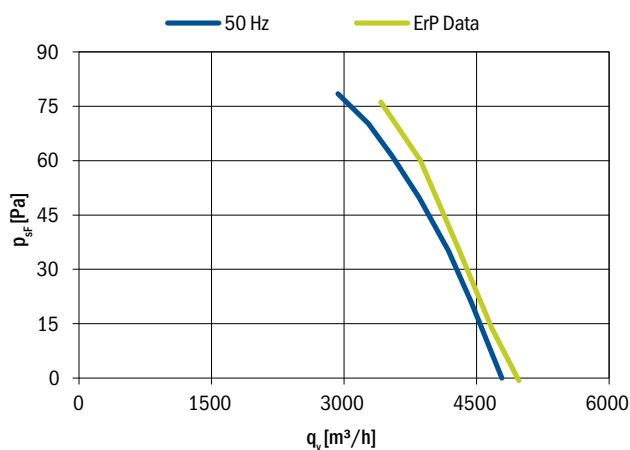
Nominal data according to standard EN 60335:

Phase	1~
Nominal voltage	230 V
Frequency	50 Hz
Rated power input	240 W
Rated current	1.10 A
Rated speed	1230 RPM
Min. ambient temperature	-30 °C
Max. ambient temperature	50 °C
Sound power level A weighted	78 dB (A)
Condensator	6.3 µF/450 V
Connection	terminal box
Insulation class	155
Protection class	IP54

ErP data according to EU regulation 327/2011:

Overall efficiency	26.6 %
Measurement category	A
Efficiency category	static
Efficiency grade N	36.6
Variable speed drive	NO
Power input	258 W
Air flow	3416 m³/h
Pressure drop	76 Pa
Speed	1207 RPM
Specific ratio	1.00

Aerodynamic characteristic



Fan characteristic measured in short bell mouth with guard grill
ErP characteristic measured in full bell mouth without guard grill

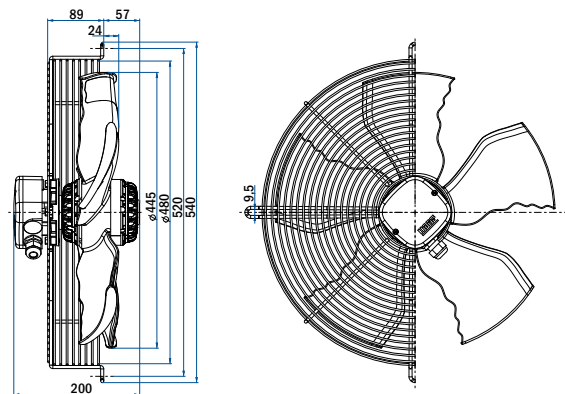
General notes

Connection diagram: Sucking	0301-1-0044	Page 145
Blowing	0301-1-0043	
Accessories		Page 134
Compliant to standards		Page 28



Fan with guard grill

Airflow Direction	Type	Code	Weight (kg)
Sucking	R11R-45LPS-4M-5150	0311-4-0314	6.4
Blowing	R11R-45LPB-4M-5150	0311-4-0343	



Fan with plate

Airflow Direction	Type	Code	Weight (kg)
Sucking	R11P-45LPS-4M-5150	On request	
Blowing	R11P-45LPB-4M-5150	On request	

Fan without guard grill

Airflow Direction	Type	Code	Weight (kg)
Sucking	R11E-45LPS-4M-5150	On request	
Blowing	R11E-45LPB-4M-5150	On request	

Diameter:

450 mm

R11_-45LP_-6M-5105

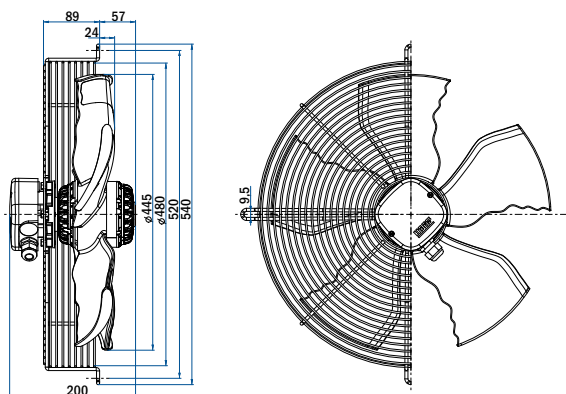


Nominal data according to standard EN 60335:

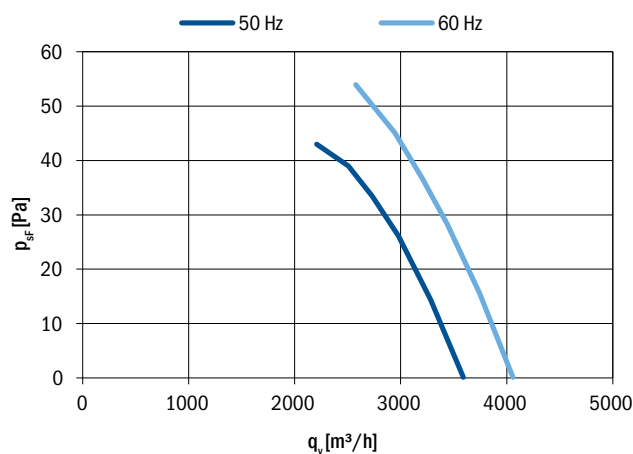
Phase	1~
Nominal voltage	230 V
Frequency	50/60 Hz
Rated power input	125/165 W
Rated current	0.55/0.70 A
Rated speed	890/1000 RPM
Min. ambient temperature	-30 °C
Max. ambient temperature	50 °C
Sound power level A weighted	76/70 dB (A)
Condensator	5 µF/450 V
Connection	terminal box
Insulation class	155
Protection class	IP54

Fan with guard grill

Airflow Direction	Type	Code	Weight (kg)
Sucking	R11R-45LPS-6M-5105	0311-4-0300	6.4
Blowing	R11R-45LPB-6M-5105	On request	



Aerodynamic characteristic



Fan characteristic measured in short bell mouth with guard grill
ErP characteristic measured in full bell mouth without guard grill

Fan with plate

Airflow Direction	Type	Code	Weight (kg)
Sucking	R11P-45LPS-6M-5105	On request	
Blowing	R11P-45LPB-6M-5105	On request	

Fan without guard grill

Airflow Direction	Type	Code	Weight (kg)
Sucking	R11E-45LPS-6M-5105	On request	
Blowing	R11E-45LPB-6M-5105	On request	

General notes

Connection diagram: Sucking	0301-1-0044	Page 145
Blowing	0301-1-0043	
Accessories		Page 134
Compliant to standards		Page 28

R11_-45SP_-6M-5761

Diameter:

450 mm

Nominal data according to standard EN 60335:

Phase	1~
Nominal voltage	230 V
Frequency	50/60 Hz
Rated power input	115/150 W
Rated current	0.50/0.65 A
Rated speed	800/880 RPM
Min. ambient temperature	-30 °C
Max. ambient temperature	65 °C
Sound power level A weighted	83/87 dB (A)
Condensator	3.15 µF/450 V
Connection	terminal box
Insulation class	155
Protection class	IP54

ErP data according to EU regulation 327/2011:

Is not subject to the EU regulation 327/2011.

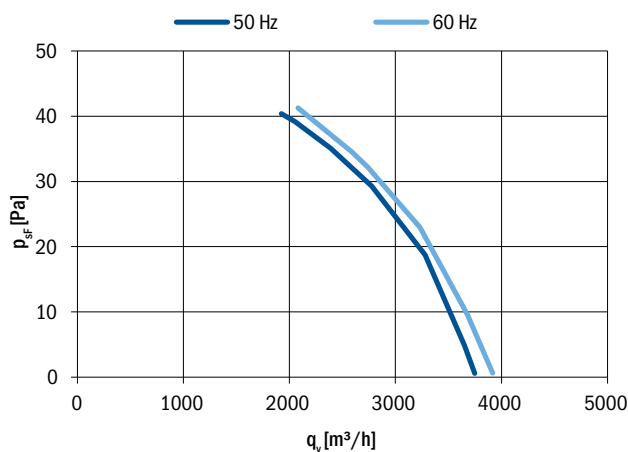
Power input lower than 125 W.



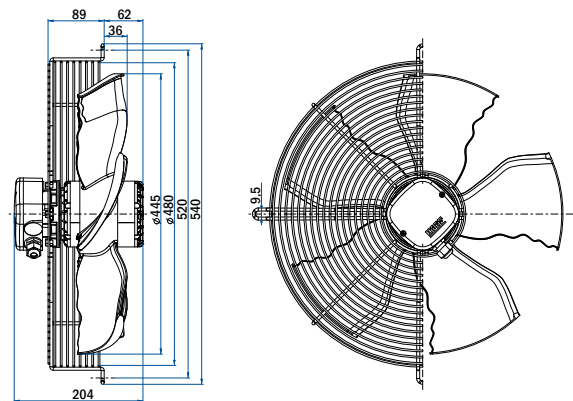
Fan with guard grill

Airflow Direction	Type	Code	Weight (kg)
Sucking	R11R-45SPS-6M-5761	0311-4-0403	
Blowing	R11R-45SPB-6M-5761	On request	

Aerodynamic characteristic



Fan characteristic measured in short bell mouth with guard grill



Fan with plate

Airflow Direction	Type	Code	Weight (kg)
Sucking	R11P-45SPS-6M-5761	On request	
Blowing	R11P-45SPB-6M-5761	On request	

Fan without guard grill

Airflow Direction	Type	Code	Weight (kg)
Sucking	R11E-45SPS-6M-5761	On request	
Blowing	R11E-45SPB-6M-5761	On request	

General notes

Connection diagram: Sucking	0301-1-0044	Page 145
Blowing	0301-1-0043	
Accessories		Page 134
Compliant to standards		Page 28